



DAMPA Grating LTX WS Corridor

Gratings provides the visual effect of a concealed ceiling, and is designed with elegant narrow profiles oriented in straight lines. The ceiling construction is leaving a high open area, and is frequently prescribed in areas with high ventilation demands, or with special fire protection solutions.

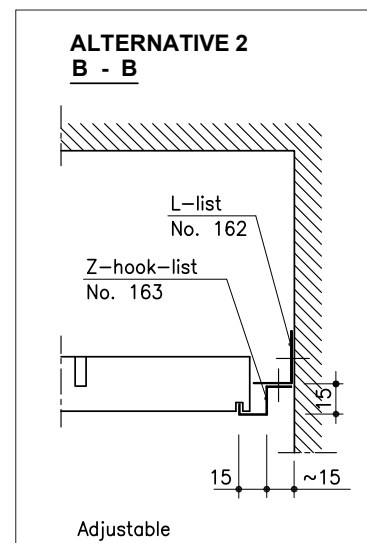
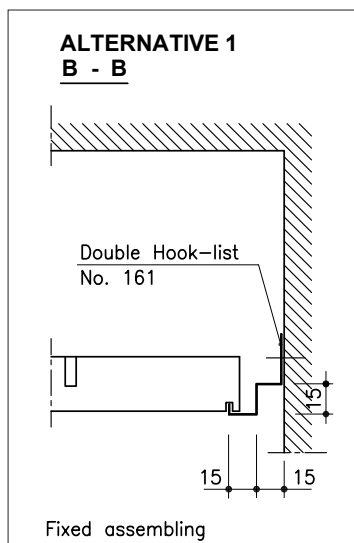
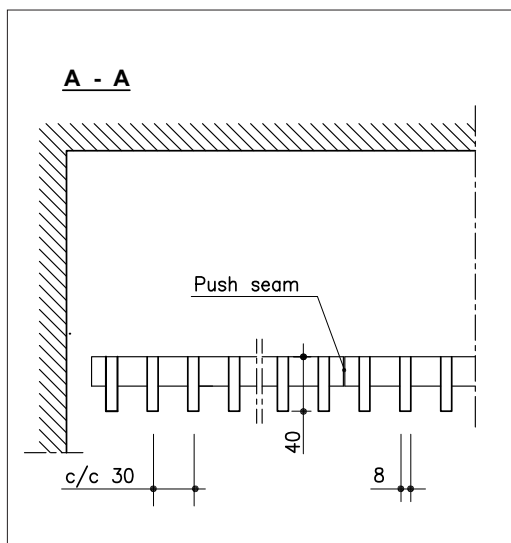
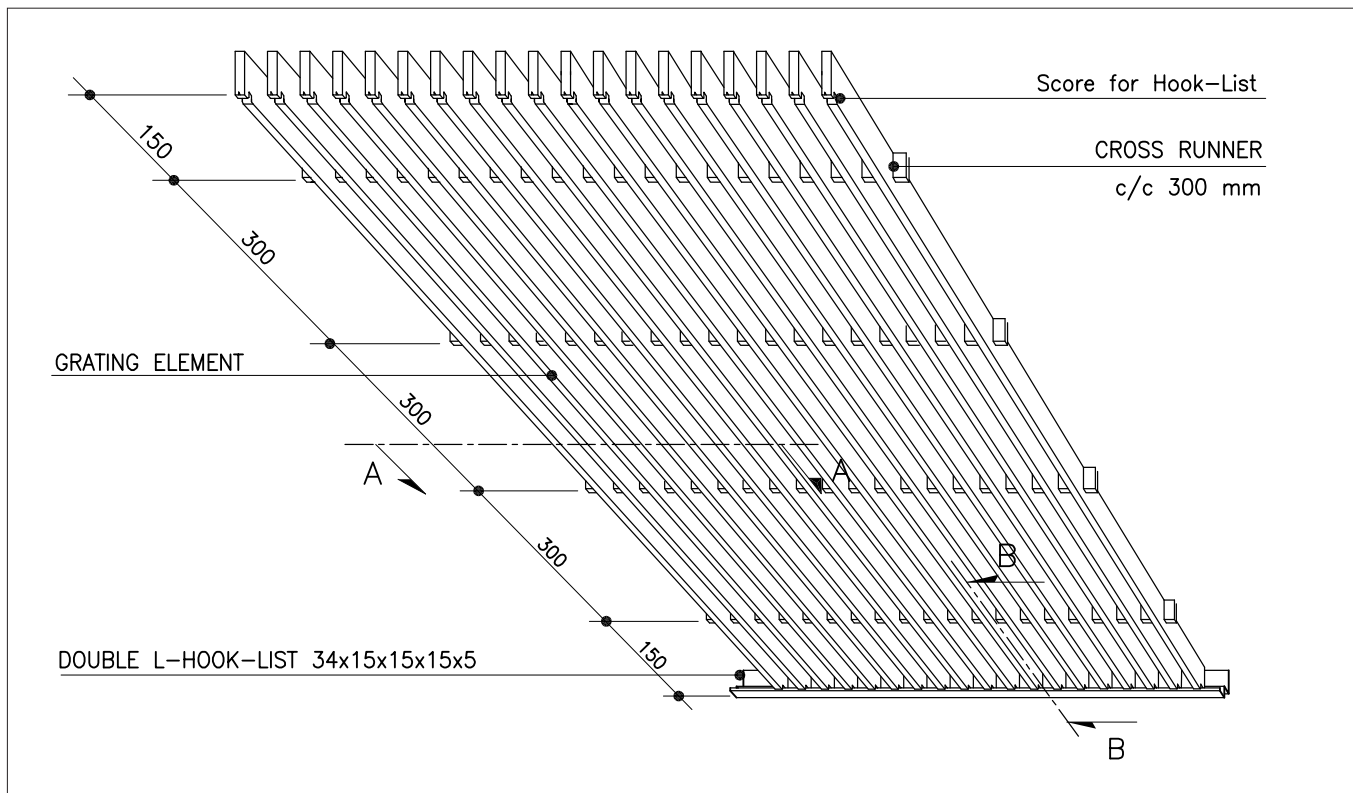
Gratings WS systems are easy to open, and thus facilitating service and maintenance.

The Gratings are made of profiles 8 mm wide, and 40 mm high.

Standard element is 600 x 1200 mm, other dimensions on request.



DAMPA Grating LTX WS-corridor



STANDARD WS-CORRIDOR GRATING

| | |
|----------------|----------------------------------|
| Material | 0.4 mm Al |
| Grating width | 600 mm |
| Grating length | 1200/1500/1800 mm |
| Height | 40 mm |
| Grid size | 30 x 300 mm |
| Finish | stove enamelled , standard white |

OTHER ALTERNATIVES

| | |
|-------------------------|--|
| Material | – |
| Grating width | 400–700 mm |
| Grating length | 1000 – max. 2000 mm |
| Height | – |
| Grid size | 30–50 x max. 400 (depending on element size) |
| Finish | stove enamelled |
| Other special solutions | Please contact our technical information department. |

